

KUBEBATH
AFFORDABLE LUXURY FOR YOUR BATHROOM

DIVANI KD9930

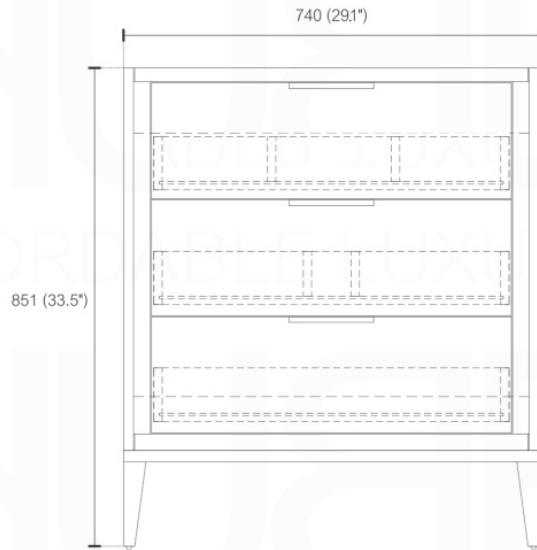
Sink: DV30TOP



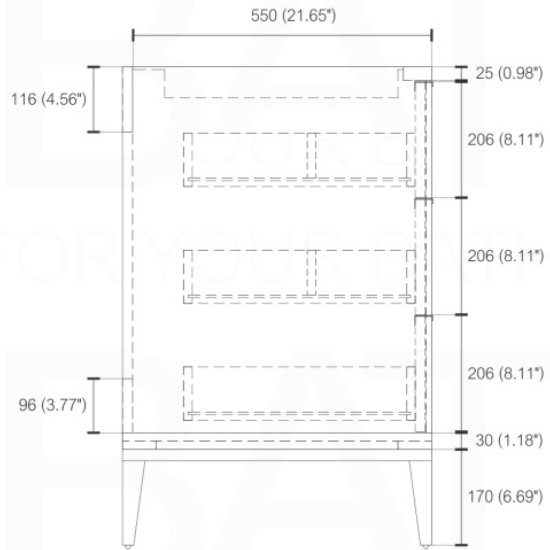
| Dimensions: | width | depth | height |
|-------------|--------|-------|--------|
| inches | 29.2" | 21.6" | 33.5" |
| mm | 741.68 | 548.6 | 850.9 |

NOTE: DIMENSIONS AND TECHNICAL DETAILS ARE SUBJECT TO CHANGE WITHOUT NOTICE

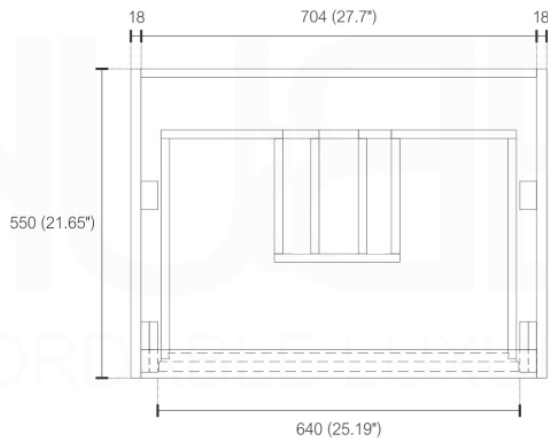
. FRONT ELEVATION



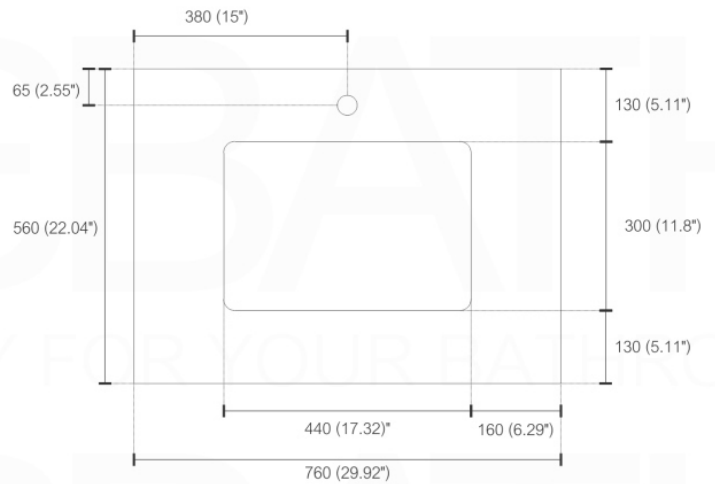
. SIDE ELEVATION



. TOP ELEVATION



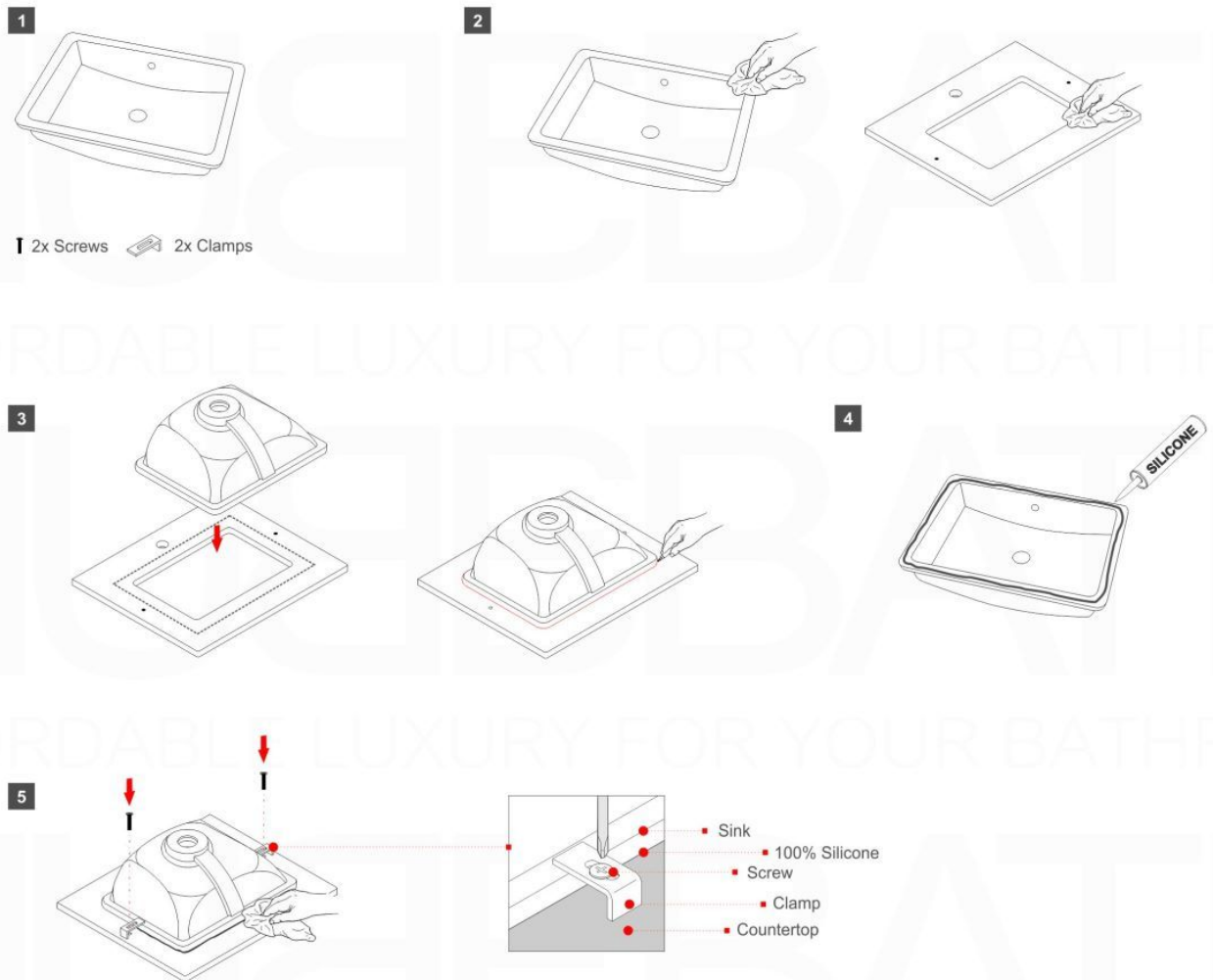
. SINK



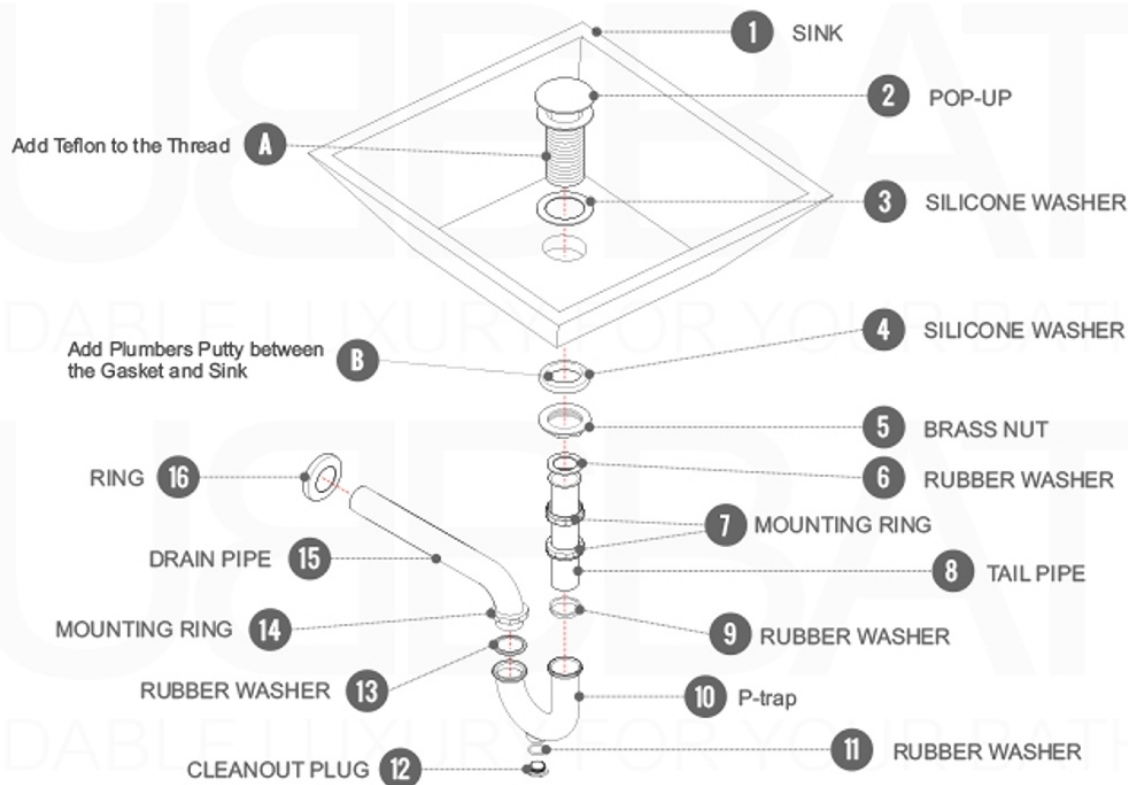
CERAMIC UNDERMOUNT SINK - INSTALLATION

1. Unpack the new sink and check the contents of the materials supplied.
2. Clean the underside of the countertop and the rim of the sink.
3. Use actual basin as your template. Place it upside down on countertop by tracing edge of basin. Be sure to allow clearance for faucet and other accessories or fixtures.
4. Generously apply 100% silicone sealant around the rim.
5. Position the sink under the opening and install the clamps.
* Use level to make sure that the basin is sitting level in all directions , front to back and side to side, while pressing down to seal. Carefully remove any excess silicone.
* Leave to cure for 24 hours before removing the clamps.

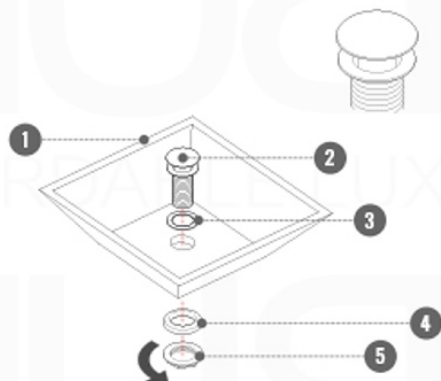
Note: Sink style, shape, cutout on top may vary from the picture above. Instructional purposes only.



Pop-Up / P-trap Installation Instructions INSTALLATION GUIDE

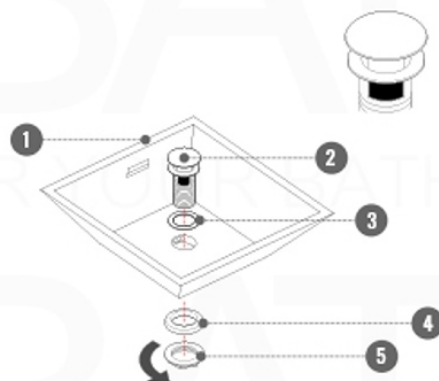


FOR SINKS WITHOUT OVERFLOW
#SKU: P101N / P102N



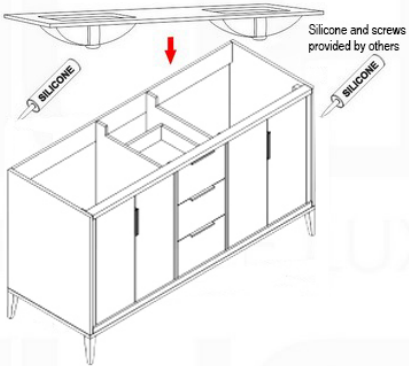
OR

FOR SINKS WITH OVERFLOW
#SKU: P101 / P102



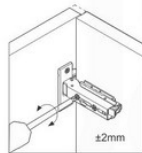
How to Install a Divani Vanity | Remove / Install Drawers | Adjust Doors

INSTALLATION GUIDE

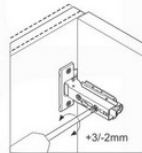


1. Determine your vanity placement and mark the area on the wall where it will be installed.
2. Locate and mark the location of the studs to which you will fasten your vanity. You can find studs by listening for a solid sound as you knock on the wall or by using a stud finder.
3. If your vanity cabinet has a solid back, mark and drill holes to accommodate drain pipes and supply pipes as necessary.
4. Place the vanity in the installation location. Verify that the vanity cabinet is level. If the vanity is not level, use vanity feet (if included) or wooden shims to adjust as necessary.
5. Attach the vanity to the wall by screwing through the mounting rail in the back of the vanity cabinet into the wall studs.
6. Install the integral sink/vanity top by applying a dot of silicone sealant on the corners of the vanity. Position the vanity top onto the vanity and press firmly into place. Wipe away any excess sealant with a damp cloth.

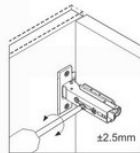
Note: We recommend consulting professional help if you are unfamiliar with installing bathroom vanities and/or plumbing.



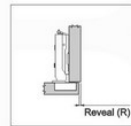
Side adjustment



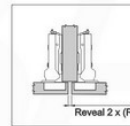
Depth adjustment via worm gear



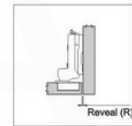
Depth adjustment via worm gear



Full Overlay/Overlay Door



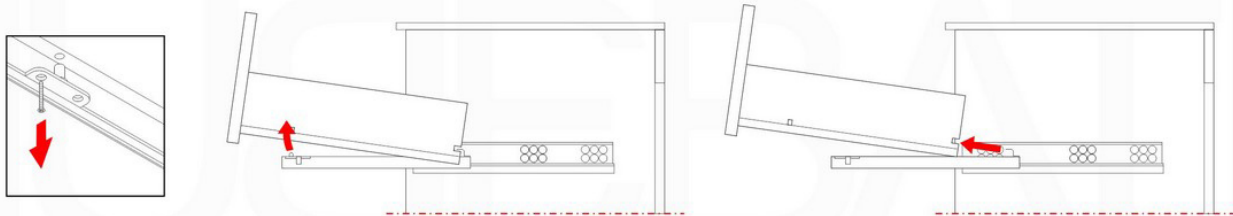
Half Overlay Door



Inset Door

REMOVE DRAWERS

(Locate the screws on the bottom of the drawer)



INSTALL DRAWERS

